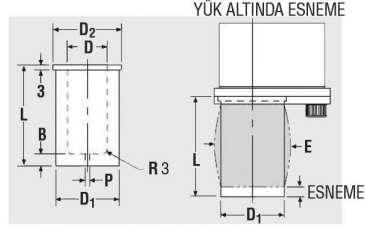
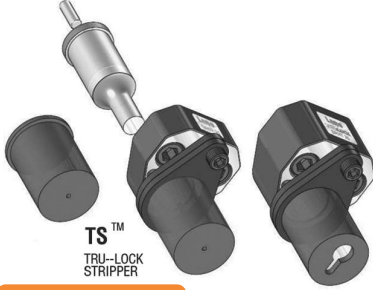


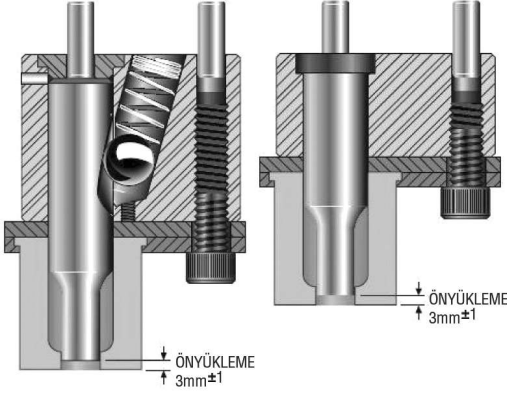
TS SERİSİ TRU-LOCK POLİÜRETAN SIYIRICILAR



TS

| TİP | D | L | D1 | D2 | B | P | ESNEME İÇİN SIYIRMA KUVVETİ (N) | | | E max. |
|-----|----|----|----|----|---|---|---------------------------------|-------|-------|-----------|
| | | | | | | | 3mm | 6mm | 9mm | |
| TS | 10 | 28 | 18 | 21 | 6 | 3 | 1642 | - | - | 22.0 |
| | | 35 | | | | | 1313 | 2101 | - | |
| | | 43 | | | | | 1066 | 1706 | 2728 | |
| | | 53 | | | | | 868 | 1389 | 1805 | |
| | | 63 | | | | | 730 | 1168 | 1518 | |
| TS | 13 | 28 | 23 | 26 | 6 | 3 | 2627 | - | - | 26.5 |
| | | 35 | | | | | 2102 | 3363 | - | |
| | | 43 | | | | | 1710 | 2736 | 3557 | |
| | | 53 | | | | | 1388 | 2221 | 2887 | |
| | | 63 | | | | | 1168 | 1869 | 2429 | |
| TS | 16 | 28 | 30 | 33 | 6 | 3 | 1008 | 1612 | 2097 | 34.0 |
| | | 35 | | | | | 3809 | - | - | |
| | | 43 | | | | | 3047 | 4875 | - | |
| | | 53 | | | | | 2514 | 4022 | 5229 | |
| | | 63 | | | | | 2012 | 3219 | 4185 | |
| TS | 20 | 28 | 33 | 36 | 7 | 3 | 1693 | 2709 | 3521 | 38.0 |
| | | 35 | | | | | 4466 | - | - | |
| | | 43 | | | | | 3573 | 5717 | - | |
| | | 53 | | | | | 2908 | 4653 | 6049 | |
| | | 63 | | | | | 2359 | 3774 | 4907 | |
| TS | 25 | 28 | 40 | 43 | 7 | 3 | 1985 | 3176 | 4129 | 47.6 |
| | | 35 | | | | | 4466 | - | - | |
| | | 43 | | | | | 4447 | 7115 | 925 | |
| | | 53 | | | | | 3609 | 5774 | 7507 | |
| | | 63 | | | | | 3035 | 4856 | 6313 | |
| TS | 32 | 28 | 50 | 54 | 7 | 4 | 262 | 4196 | 545 | 57.9 |
| | | 35 | | | | | 8406 | 1345 | - | |
| | | 43 | | | | | 6841 | 10946 | 14229 | |
| | | 53 | | | | | 5513 | 8821 | 11467 | |
| | | 63 | | | | | 4670 | 7472 | 9714 | |
| TS | 40 | 28 | 60 | 64 | 8 | 4 | 4030 | 6448 | 8382 | 69.6 |
| | | 35 | | | | | 10391 | 16626 | 21613 | |
| | | 43 | | | | | 8469 | 1355 | 17616 | |
| | | 53 | | | | | 7093 | 11349 | 14753 | |
| | | 63 | | | | | 6121 | 9794 | 12732 | |

TS SERİSİ TRU-LOCK POLİÜRETAN SIYIRICILAR



BİLYALI TUTUCU MONTAJI

ŞAPKALI TUTUCU MONTAJI

TS

| TİP | D | SIYIRICI BOYU-L | | | | | |
|-----|----|-----------------|----|----|----|----|----|
| | | 28 | 35 | 43 | 53 | 63 | 73 |
| TS | 10 | 28 | 35 | 43 | 53 | 63 | |
| | 13 | 28 | 35 | 43 | 53 | 63 | 73 |
| | 16 | 28 | 35 | 43 | 53 | 63 | 73 |
| | 20 | 28 | 35 | 43 | 53 | 63 | 73 |
| | 25 | | 35 | 43 | 53 | 63 | 73 |
| | 32 | | 35 | 43 | 53 | 63 | 73 |
| | 40 | | | 43 | 53 | 63 | 73 |

KULLANILACAK ZIMBA BOYU

| BİLYALI | | 71 | 80 | 90 | 100 | 110 | |
|---------|--|----|----|----|-----|-----|-----|
| ŞAPKALI | | 56 | 63 | 71 | 80 | 90 | 100 |

SİPARİŞ ÖRNEĞİ

(24) TS 10-53

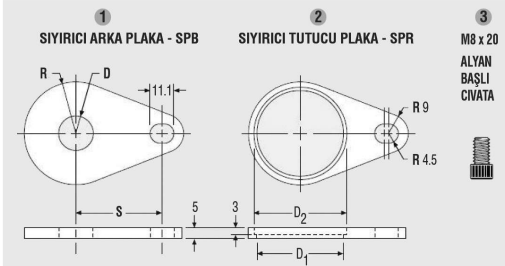
SPA SIYIRICI PLAKASI



SPA™
STRIPPER
PLATE
ASSEMBLY

SPA

| 1,2 VE 3 TAKIM | 1-ARKA PLAKA | 2-TUTUCU PLAKA | D1 | D2 | R | S |
|----------------|--------------|----------------|----|----|------|------|
| SPA 10 | SPB 10 | SPR 10 | 18 | 21 | 13.0 | 28.0 |
| SPA 13 | SPB 13 | SPR 13 | 23 | 26 | 15.5 | 31.0 |
| SPA 16 | SPB 16 | SPR 16 | 30 | 33 | 19.0 | 32.9 |
| SPA 20 | SPB 20 | SPR 20 | 33 | 36 | 20.5 | 34.7 |
| SPA 25 | SPB 25 | SPR 25 | 40 | 43 | 24.0 | 39.8 |
| SPA 32 | SPB 32 | SPR 32 | 50 | 54 | 31.0 | 41.3 |
| SPA 40 | SPB 40 | SPR 40 | 60 | 64 | 36.0 | 44.0 |



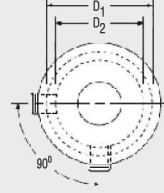
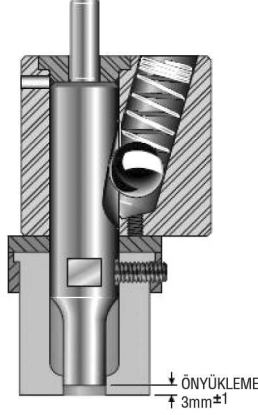
SİPARİŞ ÖRNEĞİ

(24) SPA 10 1 2 3
(1) SPB 13 1
(1) SPR 13 2

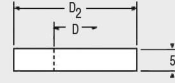
SCA SERİSİ BİLEZİKLİ POLİÜRETAN SIYIRICILAR



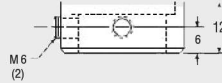
SCA™
STRIPPER
COLLOR
ASSEMBLY



1
BİLEZİKLİ SIYIRICI ARKA - SCB

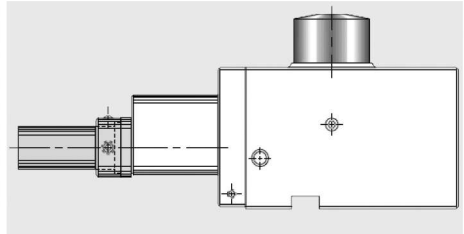
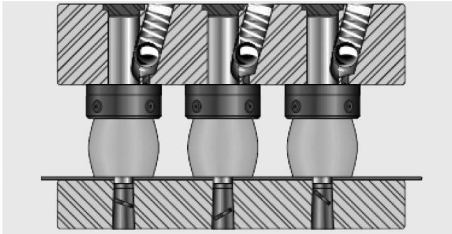
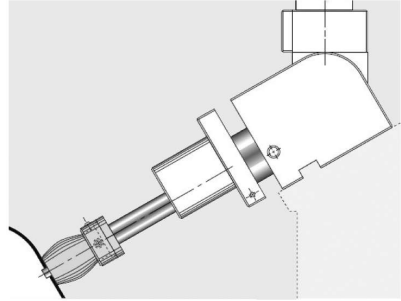


2
BİLEZİKLİ SIYIRICI TUTUCU - SCR



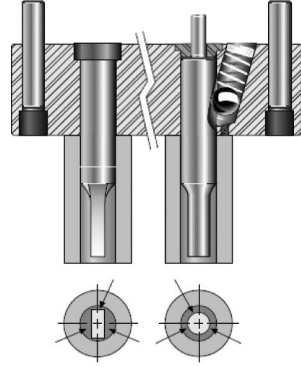
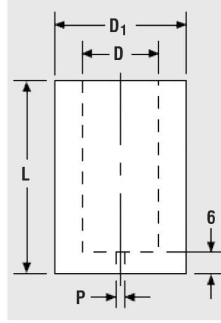
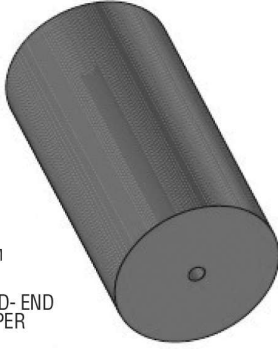
SCA

| 1,2 VE 3 TAKIM | 1-ARKA | 2-TUTUCU | D1 | D2 | D3 |
|----------------|--------|----------|----|----|----|
| SCA 10 | SCB 10 | SCR 10 | 18 | 21 | 26 |
| SCA 13 | SCB 13 | SCR 13 | 23 | 26 | 31 |
| SCA 16 | SCB 16 | SCR 16 | 30 | 33 | 38 |
| SCA 20 | SCB 20 | SCR 20 | 33 | 36 | 41 |
| SCA 25 | SCB 25 | SCR 25 | 40 | 43 | 48 |
| SCA 32 | SCB 32 | SCR 32 | 50 | 54 | 62 |
| SCA 40 | SCB 40 | SCR 40 | 60 | 64 | 72 |



CS SERİSİ KAPALI UÇLU POLİÜRETAN SIYIRICILAR

CSTM
CLOSED-END
STRIPPER



CS

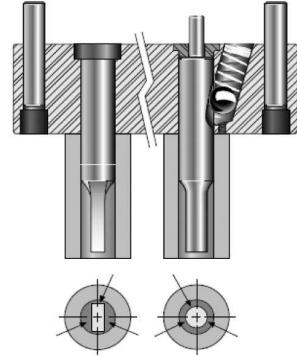
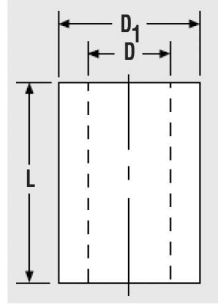
| TİP | D | L | D1 | P | ESNEME İÇİN SIYIRMA KUVVETİ (N) | | | ZIMBA BOYU | |
|-----|----|----|----|-----|---------------------------------|-------|-------|------------|---------|
| | | | | | 3mm | 6mm | 9mm | BİLYALI | ŞAPKALI |
| CS | 6 | 40 | 19 | 1.6 | 1310 | 2096 | 2725 | 71 | 63 |
| | | 48 | | | 1110 | 1776 | 2309 | 80 | 71 |
| | | 58 | | | 908 | 1453 | 1889 | 90 | 80 |
| CS | 8 | 40 | 21 | 1.6 | 1519 | 2430 | 3159 | 71 | 63 |
| | | 48 | | | 1276 | 2042 | 2655 | 80 | 71 |
| | | 58 | | | 1053 | 1685 | 2190 | 90 | 80 |
| CS | 10 | 40 | 23 | 2.5 | 1728 | 2765 | 3594 | 71 | 63 |
| | | 48 | | | 1452 | 2323 | 3020 | 80 | 71 |
| | | 58 | | | 1199 | 1918 | 2494 | 90 | 80 |
| CS | 13 | 40 | 26 | 3 | 1014 | 1622 | 2109 | 100 | 90 |
| | | 48 | | | 2043 | 3269 | 4249 | 71 | 63 |
| | | 58 | | | 1716 | 2746 | 3569 | 80 | 71 |
| CS | 16 | 40 | 30 | 3 | 1416 | 2266 | 2945 | 90 | 80 |
| | | 48 | | | 1198 | 1917 | 2492 | 100 | 90 |
| | | 58 | | | 1062 | 1699 | 2209 | 110 | 100 |
| CS | 20 | 40 | 38 | 3 | 2595 | 4152 | 5398 | 71 | 63 |
| | | 48 | | | 2179 | 3486 | 4532 | 80 | 71 |
| | | 58 | | | 1799 | 2878 | 3742 | 90 | 80 |
| CS | 25 | 40 | 50 | 3 | 1452 | 2323 | 3020 | 100 | 90 |
| | | 48 | | | 1287 | 2059 | 2677 | 110 | 100 |
| | | 58 | | | 4207 | 6713 | 8751 | 71 | 63 |
| CS | 25 | 40 | 50 | 3 | 3533 | 5653 | 7349 | 80 | 71 |
| | | 48 | | | 2917 | 4667 | 6067 | 90 | 80 |
| | | 58 | | | 2468 | 3949 | 5133 | 100 | 90 |
| CS | 25 | 40 | 50 | 3 | 2187 | 3499 | 4549 | 110 | 100 |
| | | 48 | | | 7556 | 12090 | 15716 | 71 | 63 |
| | | 58 | | | 6347 | 10123 | 13160 | 80 | 71 |
| CS | 25 | 40 | 50 | 3 | 5239 | 8392 | 10897 | 90 | 80 |
| | | 48 | | | 4433 | 7093 | 9221 | 100 | 90 |
| | | 58 | | | 3829 | 6126 | 7964 | 110 | 100 |

SİPARİŞ ÖRNEĞİ

(24) CS 16-56

OS SERİSİ AÇIK UÇLU POLİÜRETAN SIYIRICILAR

OSTM
OPEN-END
STRIPPER



OS

| TİP | D | L | D1 | ESNEME İÇİN SIYIRMA KUVVETİ (N) | | | ZIMBA BOYU | |
|-----|----|----|----|---------------------------------|------|-------|------------|---------|
| | | | | 3mm | 6mm | 9mm | BİLYALI | ŞAPKALI |
| OS | 6 | 40 | 19 | 917 | 1696 | 2545 | 71 | 63 |
| | | 48 | | 777 | 1437 | 2156 | 80 | 71 |
| | | 58 | | 635 | 1175 | 1762 | 90 | 80 |
| OS | 8 | 40 | 21 | 1063 | 1967 | 2950 | 71 | 63 |
| | | 48 | | 893 | 1652 | 2478 | 80 | 71 |
| | | 58 | | 737 | 1363 | 2045 | 90 | 80 |
| OS | 10 | 40 | 23 | 1210 | 2239 | 3358 | 71 | 63 |
| | | 48 | | 1016 | 1880 | 2819 | 80 | 71 |
| | | 58 | | 839 | 1552 | 2328 | 90 | 80 |
| OS | 13 | 68 | 26 | 709 | 1311 | 1967 | 100 | 90 |
| | | 40 | | 1430 | 2645 | 3968 | 71 | 63 |
| | | 48 | | 1201 | 2221 | 3332 | 80 | 71 |
| OS | 16 | 58 | 30 | 991 | 1833 | 2750 | 90 | 80 |
| | | 68 | | 839 | 1552 | 2328 | 100 | 90 |
| | | 78 | | 743 | 1374 | 2062 | 110 | 100 |
| OS | 20 | 40 | 38 | 1817 | 3271 | 4906 | 71 | 63 |
| | | 48 | | 1525 | 2745 | 4117 | 80 | 71 |
| | | 58 | | 1259 | 2266 | 3399 | 90 | 80 |
| OS | 25 | 68 | 50 | 1016 | 1829 | 2743 | 100 | 90 |
| | | 78 | | 901 | 1622 | 2433 | 110 | 100 |
| | | 40 | | 2945 | 5301 | 7952 | 71 | 63 |
| OS | 25 | 48 | 50 | 2473 | 4451 | 6677 | 80 | 71 |
| | | 58 | | 2042 | 3675 | 5513 | 90 | 80 |
| | | 68 | | 1727 | 3109 | 4663 | 100 | 90 |
| OS | 25 | 78 | 50 | 1531 | 2756 | 4134 | 110 | 100 |
| | | 40 | | 5289 | 9520 | 14280 | 71 | 63 |
| | | 48 | | 4443 | 7997 | 11996 | 80 | 71 |
| OS | 25 | 58 | 50 | 3667 | 6601 | 9901 | 90 | 80 |
| | | 68 | | 3103 | 5585 | 8378 | 100 | 90 |
| | | 78 | | 2680 | 4824 | 7236 | 110 | 100 |

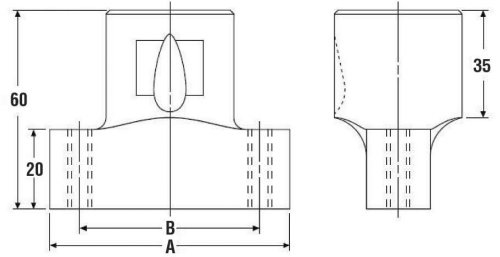
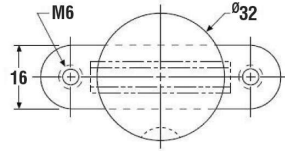
NUMARATÖR VE TUTUCULARI

BHHO SERİSİ BİLYALI NUMARATÖR TUTUCU

Hızlı ve kolay değişim için tasarlanmıştır.
3mm karakterler, rakam, harf, nokta, tire ve boş olarak mevcuttur.

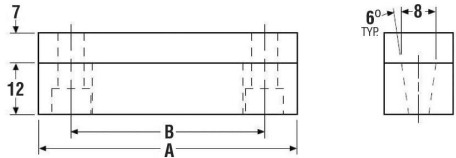
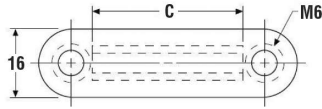
3, 5, 7, 9 VE 12 haneli setler halinde mevcuttur.

| BHHO | | | |
|---------|------|----|----|
| MODEL | HANE | A | B |
| BHHO 32 | 3 | 40 | 25 |
| | 5 | 50 | 35 |
| | 7 | 55 | 40 |
| | 9 | 65 | 50 |
| | 12 | 75 | 60 |



SRA SERİSİ NUMARATÖR KASETİ

| SRA | | | | |
|-------|------|----|----|----|
| MODEL | HANE | A | B | C |
| SRA | 3 | 40 | 25 | 12 |
| | 5 | 50 | 35 | 20 |
| | 7 | 55 | 40 | 28 |
| | 9 | 65 | 50 | 36 |
| | 12 | 75 | 60 | 48 |



WMS SERİSİ NUMARATÖR

| SIPARIŞ ÖRNEĞİ | | | |
|----------------|-----|---------------------|----------|
| ADET | KOD | KARAKTER YÜKSEKLİĞİ | KARAKTER |
| 2 | WMS | 3 | L |

